

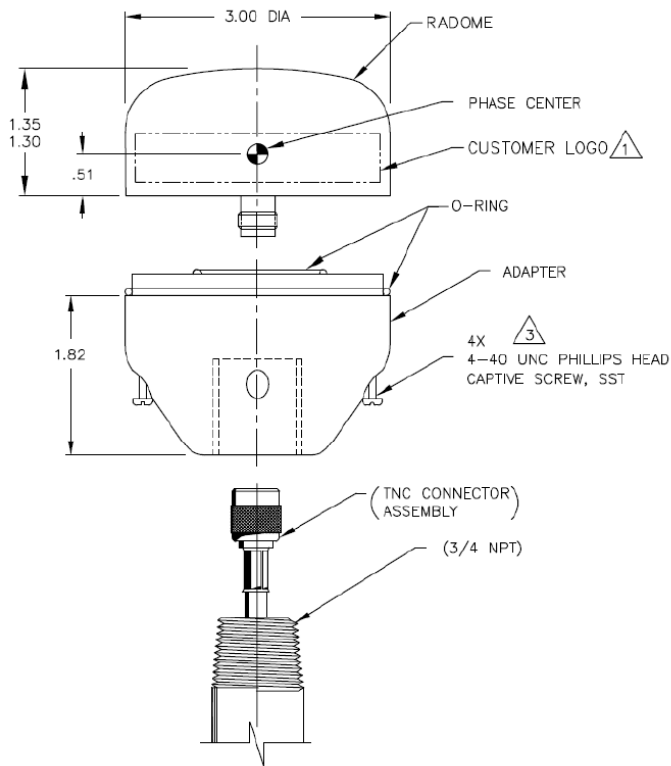
PROPRIETARY NOTICE: This document contains proprietary information of AAT Inc. neither the document nor said proprietary information shall be published, reproduced, copied, disclosed or used for any purpose other than consideration of this document without the express written permission of a duly authorized representative of said Company.

REVISIONS			
SYM	DESCRIPTION	DATE	APPROVED
B	SEE ECO 4507	07/31/00	

NOTES: UNLESS OTHERWISE SPECIFIED.

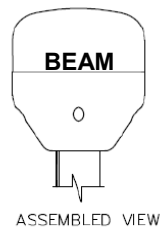
- 1 LOGO OPTIONAL.
2. LABEL SIZE, SHAPE AND CONTENTS SUBJECT TO CHANGE WITHOUT NOTICE.
- 3 ASSEMBLE ANTENNA TO ADAPTER USING CAPTIVE SCREWS, SUGGESTED TORQUE: 5.0-6.0 IN LB, DO NOT OVER TORQUE.
4. TOLERANCES: .XX ± .03  
.XXX ± .010

REFERENCE INSTALLATION DRAWING:



SPECIFICATION:

FREQUENCY: 1575 ±10 MHz  
 POLARIZATION: RIGHT HAND CIRCULAR  
 AXIAL RATIO: 1.5 dB MAX  
 RADIATION COVERAGE: 4.0 dBic 0° = 0°  
 -3.0 dBic 0° < θ < 75°  
 -7.5 dBic 75° ≤ θ < 80°  
 -8.0 dBic 80° ≤ θ < 85°  
 -9.0 dBic 85° ≤ θ = 90°  
 AMPLIFIER: <1.5:1  
 NOISE FIGURE: 2.5 dB MAX  
 IMPEDANCE: 50 OHMS  
 VSWR: ≤2.0 : 1  
 BAND REJECTION: 30 dB @ 1535 MHz ( f<sub>c</sub> -40 MHz)  
 60 dB @ 1615 MHz ( f<sub>c</sub> +40 MHz)  
 POWER HANDLING: 1 WATT (INCLUDING IN-BAND)  
 FINISH: WEATHERABLE POLYMER  
 WEIGHT: 8 OZ MAX  
 ALTITUDE: 55,000'  
 OPERATING TEMP: -55°C TO +85°C  
 DESIGNED TO: D0-160C



DO NOT SCALE THIS DRAWING	DRAWN	D. KIM	09/30/98
ALL DIMENSIONS ARE IN INCHES	CHECKED	J. BAELLY	08/20/99
DIMENSIONING & TOLERANCING PER ANSI Y14.5M-1982	ENGR	T. JEENSALUTE	08/15/99
TOLERANCES: .XXK → ±.01 .000 → ±.005 FRACT = ±1/32 ANG. = ±1/2°	C.A.	B. RUBENI	08/18/99
✓ SURFACE ROUGHNESS PER ANSI 94.1	APPROVED	G. SHACHAR	08/15/99
REMOVE BURRS AND BREAK SHARP EDGES:	UNLESS OTHERWISE SPECIFIED	DRAWN IN ACAD	
PART TO BE CLEAN AND OIL FREE			
USED ON			

**AeroAntenna Technology Inc**

TITLE: **GPS Antenna - White**

SIZE: **B** DRAWING: **RST700** REV: **B**

SCALE: NONE SHEET 1 OF 1